

A0103

Small Square Push Button
(CP)



Technical Data

Features

Robust assembly.

Large number of colours available.

Illumination with Led or T10 Lamp.

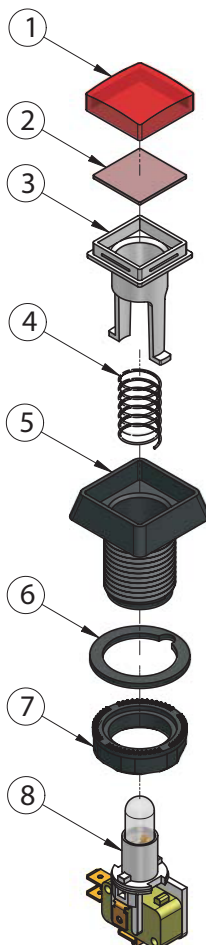
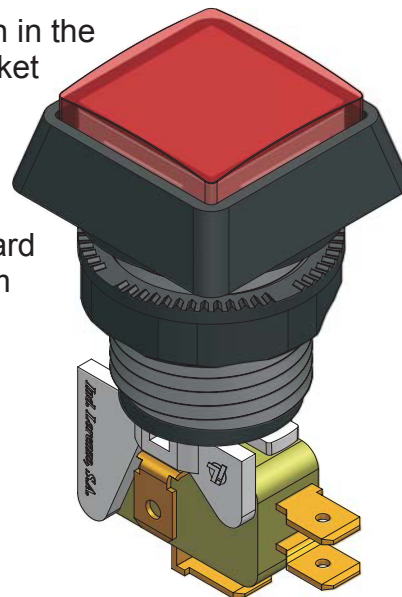
Microswitch variety.

Applications

Gaming machines where small square, classic and robust Push Button are needed.

The I.P.B. A0103 CP is known in the Gaming and Amusement market by it's single shape and large dimension.

The I.P.B. A0103 is available in two kinds of fixation, standard Plug-in, and Easy Clip System (ECS A01A3).



(5) I.P.B. BEZEL "CP"		
# PART NUMBER	MATERIAL	COLOUR
C-01-01103010	A.B.S. (natural)	—
C-01-01103016	A.B.S.	WHITE
C-01-01103017		BLACK
C-01-01103019		GRAY
S-01-011030103		SILVER CHROMED
C-01-01103021	NYLON	RED
C-01-01103022		YELLOW
C-01-01103023		GREEN
C-01-01103025		BLUE
C-01-01103031	PC (Clear)	RED
C-01-01103032		YELLOW
C-01-01103033		GREEN
C-01-01103617	A.B.S. (High)	BLACK

(1) LENS CAP "CP"		
# PART NUMBER	MATERIAL	COLOUR
C-01-50103001	PC (Clear)	RED
C-01-50103002		YELLOW
C-01-50103003		GREEN
C-01-50103004		AMBER
C-01-50103005		BLUE
C-01-50103006		TRANSPARENT

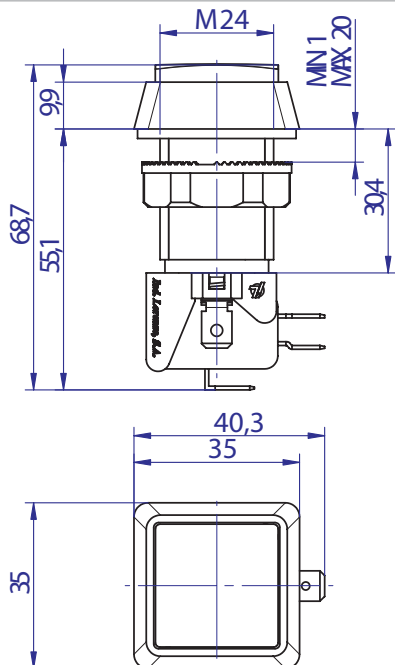
(2) PLASTIC LEGEND "CP"		
# PART NUMBER	MATERIAL	COLOUR
C-01-51103001	PS	RED
C-01-51103002		YELLOW
C-01-51103003		GREEN
C-01-51103004		AMBER
C-01-51103005		BLUE
C-01-51103006		WHITE
C-01-51103010	A.B.S.	OPAL
C-01-51103066	PC	OPAL

A0103

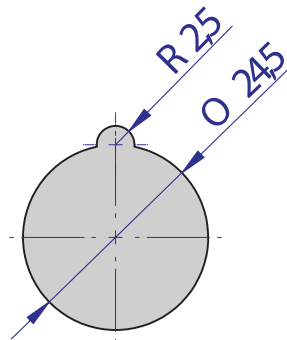
Small Square Push Button
(CP)



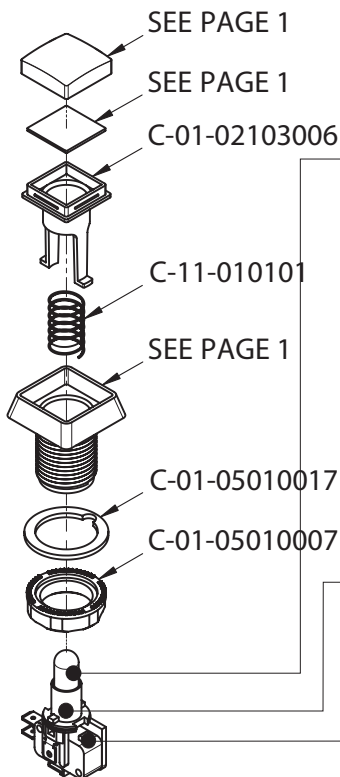
Technical Data



PANEL MOUNTING



Dimensions



Available Lamps:

- T-10 12V 2,2W
 - T-10 12V 1,5W
 - T-10 12V 1,2W
 - T-10 6V 2,0W
 - T-10 6V 1,5W
 - T-10 24V 2,0W
 - T-10 28V 1,6W
- Also available triple "Led" C-08-P3312X

Red LED of 8mm. (Large PCB)

Red LED of 8mm. (Small PCB)

Red LED of 3mm. (Large PCB)



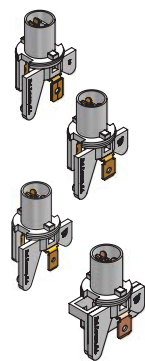
Lampholder:

Standard Lampholder for standard Microswitches. Fast-on 6,35x0,4

Standard Lampholder for standard Microswitches. Fast-on 6,35x0,7

Standard Lampholder for standard Microswitches. Fast-on 4,75x0,7

Standard Lampholder for standard Microswitches. Fast-on 6,35x0,7



Available Microswitches:

- SAIA 3t (6,35 mm)
- Honeywell 2t (6,35 mm)
- Cherry 3t (6,35 mm)
- Cherry 3t (4,75 mm)

Exploded view

NOTE: Some modifications or adaptations might be available under special request.

www.aus.at

Contact
Tel: +43 (0)1 271 66 00
e-mail: sales@aus.at
Schedygasse 48
A-1210 Wien
Austria

English Rev:1.0.0